

NJAPA Rutgers Paving Conference 2015



David R. Salzmann

dsalzmann@wirtgenamerica.com



ROAD AND MINERAL TECHNOLOGIES

www.wirtgenamerica.com

NJAPA Rutgers Paving Conference 2015



Emerging Technologies in Road Equipment

David R. Salzmann

dsalzmann@wirtgenamerica.com



ROAD AND MINERAL TECHNOLOGIES

www.wirtgenamerica.com

Emerging Technologies



What's Catching On?

Emerging Technologies



Close to
our customers

Milling

Hydraulic Side Shift Milling Machine

Dust Control Systems

Hydraulic Side Shift Milling Machine

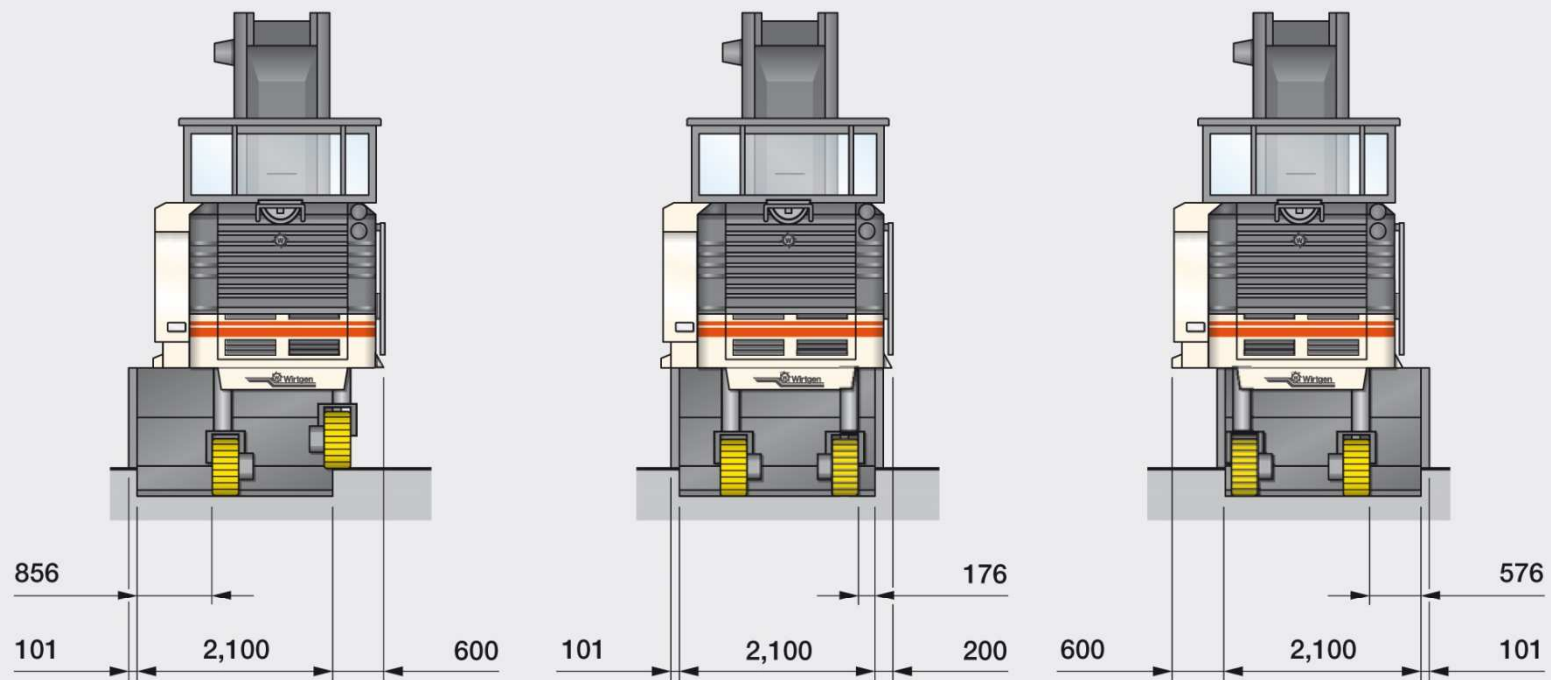


Close to
our customers



W200Hi

Hydraulic Side Shift Milling Machine



Milling drum assembly left

Milling drum assembly
in neutral position

Milling drum assembly right

Hydraulic Side Shift Milling Machine



Close to
our customers



Hydraulic Side Shift Milling Machine



Close to
our customers



Hydraulic Side Shift Milling Machine



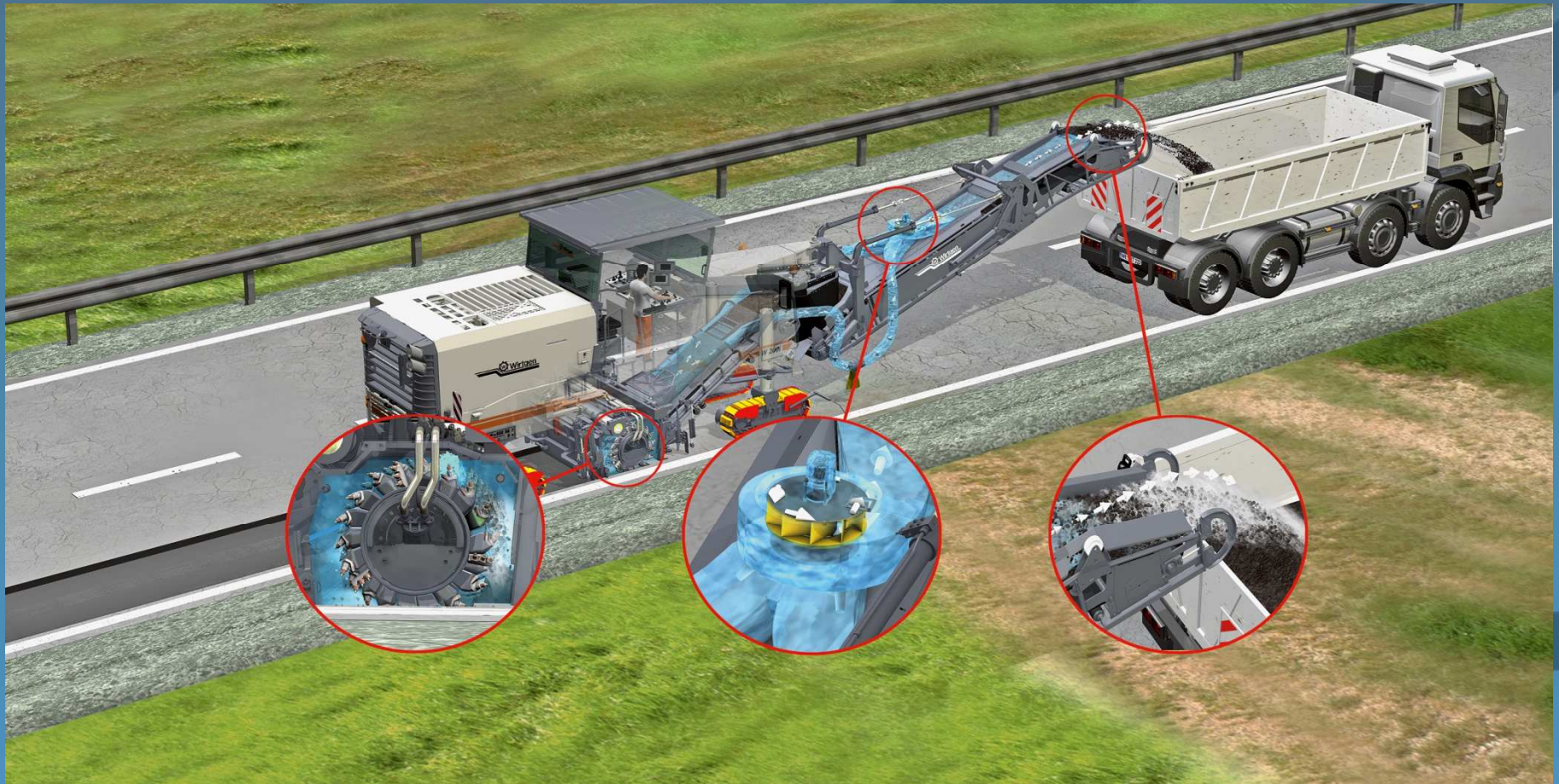
Close to
our customers



Vacuum Dust Control System



Close to
our customers



Vacuum Dust Control System



Close to
our customers



Vacuum Dust Control System



Close to
our customers



Emerging Technologies



Paving

Bonded Wearing Courses

Material Transfer Vehicles

David R. Salzmann

dsalzmann@wirtgenamerica.com



ROAD AND MINERAL TECHNOLOGIES

www.wirtgenamerica.com

Bonded Wearing Courses



Close to
our customers



Bonded Wearing Courses



Close to
our customers



Alternate Terminology

Micro-Surfacing
Nova-Chip
HIPTO

Bonded Wearing Courses



Close to
our customers



Thin lift surface treatment designed to prolong the service
life of the road surface

Bonded Wearing Courses



Close to
our customers



Typical Application Thickness: $\frac{1}{2}$ - $\frac{3}{4}$ inch

Bonded Wearing Courses

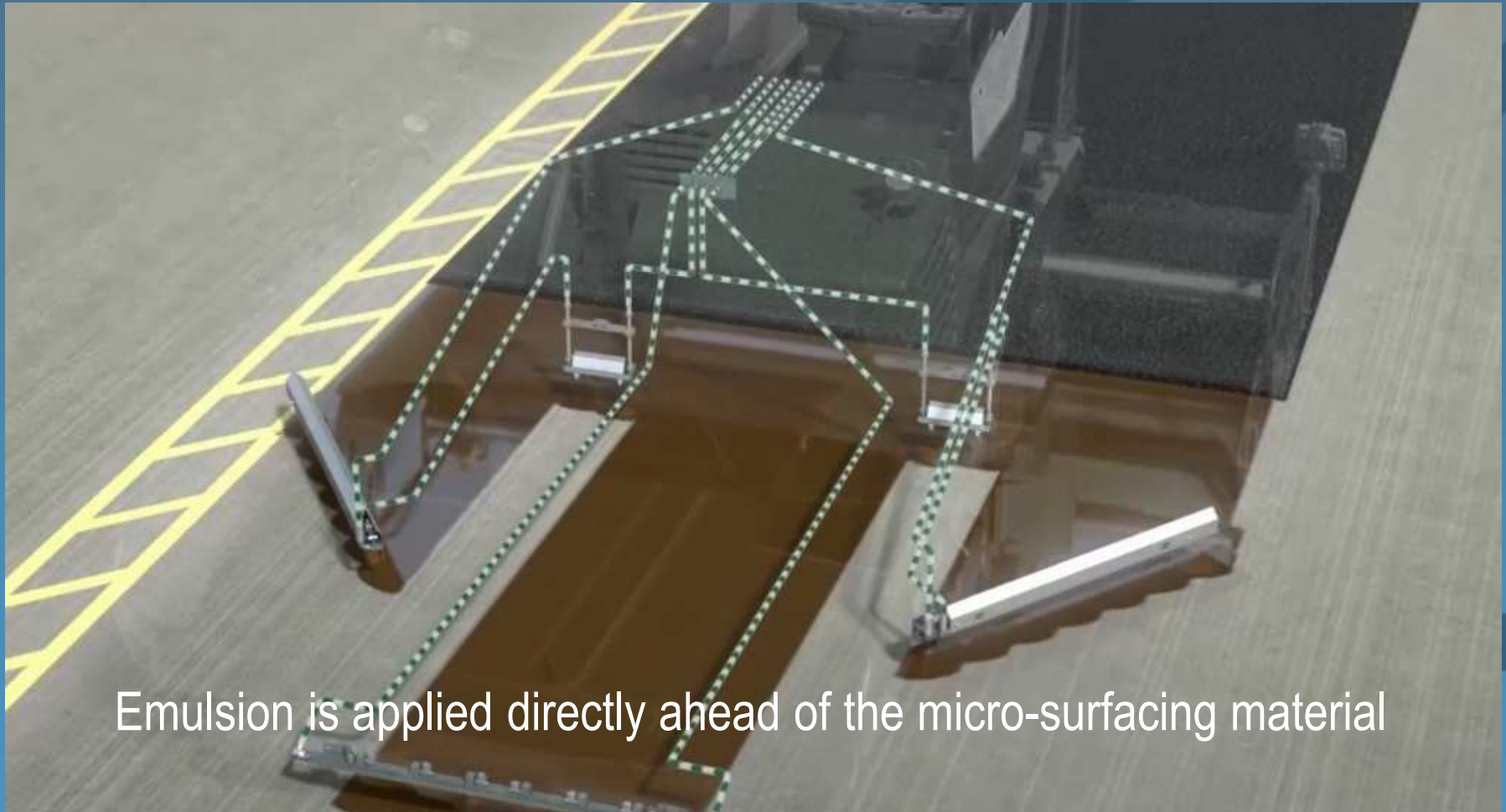


Close to
our customers

Super 1800-3i SprayJet



Bonded Wearing Courses



Emulsion is applied directly ahead of the micro-surfacing material

Bonded Wearing Courses



Close to
our customers



Precise application of liquid material is **CRITICAL** to the success of the process.

Bonded Wearing Courses

Computer Controlled
Application of Liquid Emulsion



Material Transfer Vehicles



Close to
our customers

MT3000-2i



A Different Way Of Looking At Things!

Material Transfer Vehicles



Close to
our customers



MT3000-2i

Swinging Discharge

Remixing In Receiver

Rubber Track Chassis

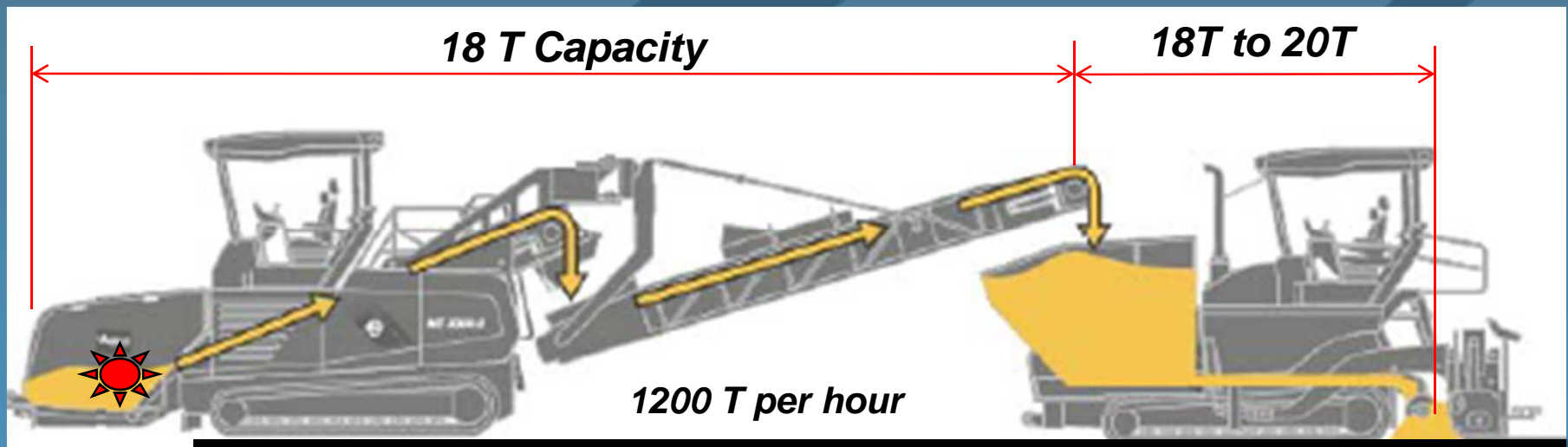
Material Transfer Vehicles



Material is delivered in a homogeneous mass.

Material Transfer Vehicles

Theoretical Capacity 36 tons



Material Transfer Vehicles



Close to
our customers

MT3000-2i

Less Wear Parts

Lower O&O Cost



Emerging Technologies



Close to
our customers

Compaction

Intelligent Compaction

Intelligent Compaction

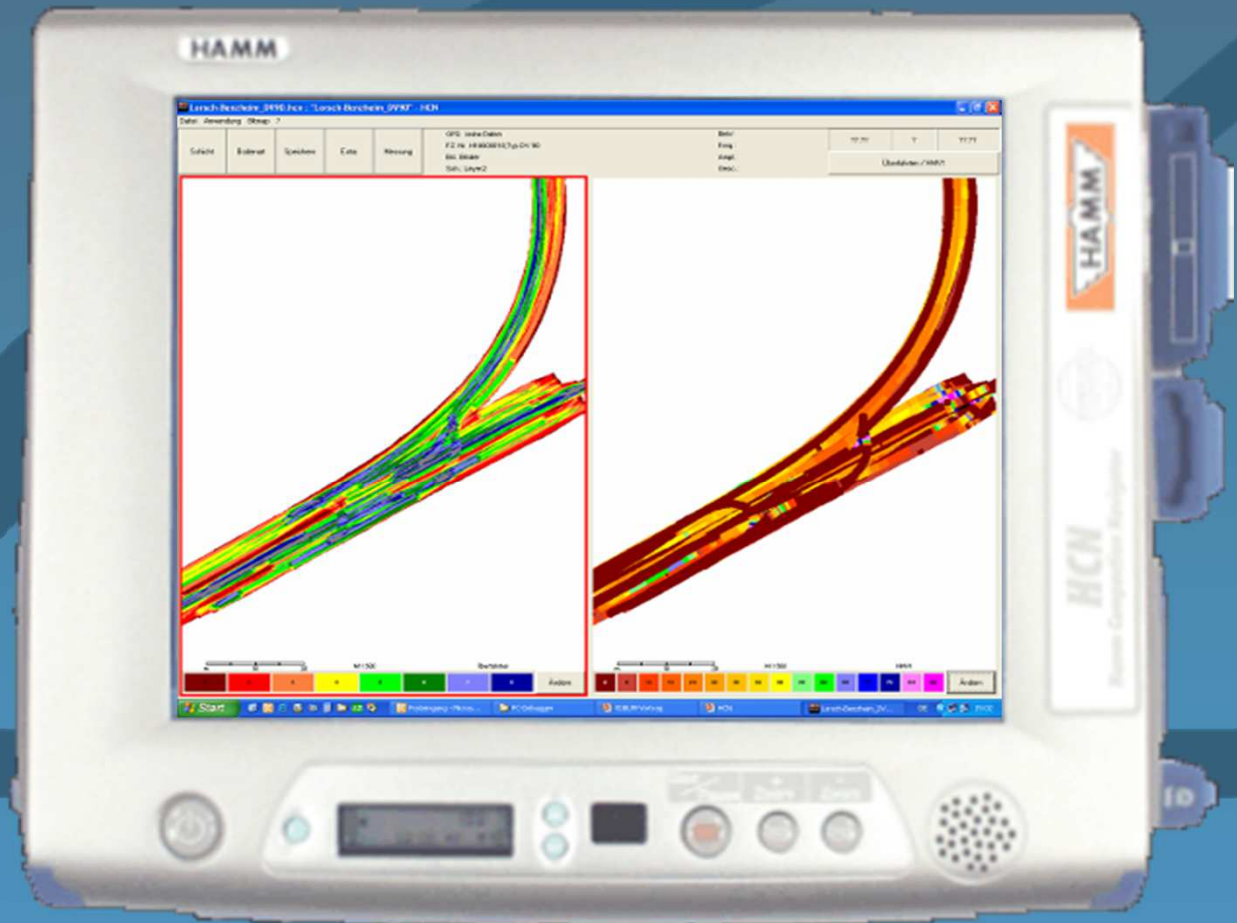


Close to
our customers

Pass Mapping

Temperature Mapping

Stiffness Mapping



Intelligent Compaction



Close to
our customers



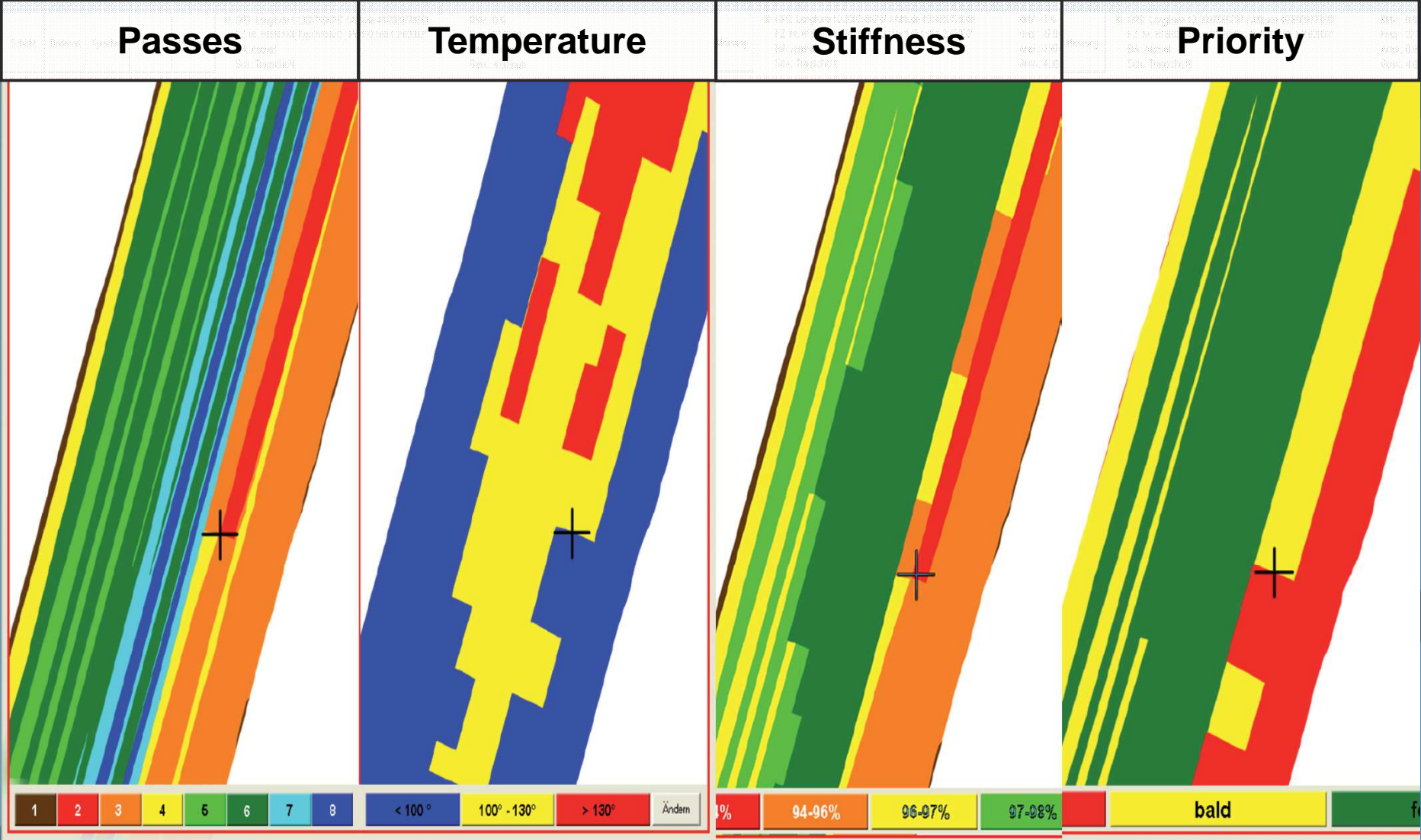
HAMM
Compaction
Quality

HCQ - Asphalt-Navigator

Intelligent Compaction



Close to our customers



NJAPA Rutgers Paving Conference 2015



Close to
our customers



ROAD AND MINERAL TECHNOLOGIES

www.wirtgenamerica.com